

4

3

2

1

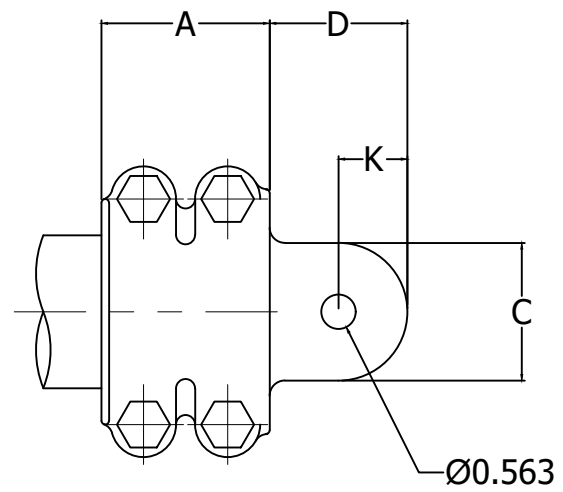
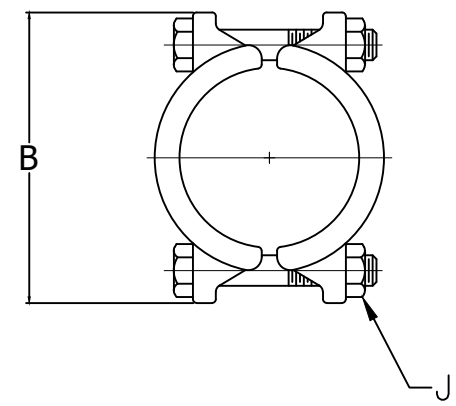


FIG #1

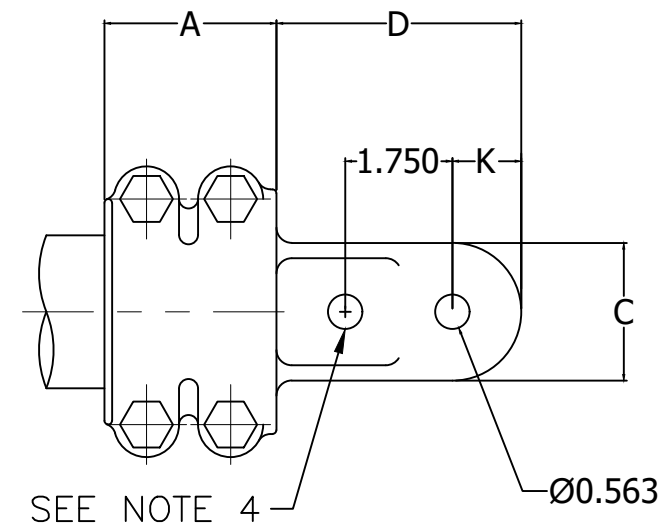
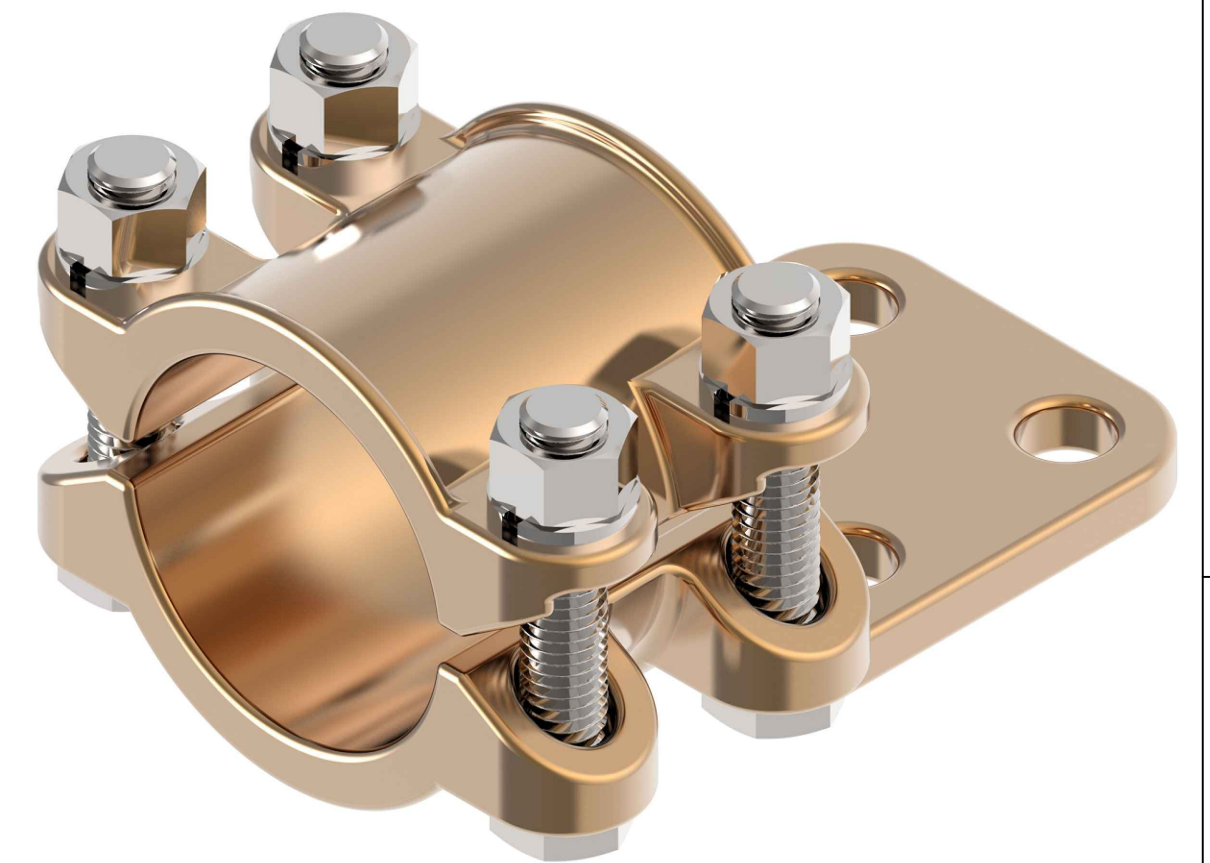


FIG #2



C

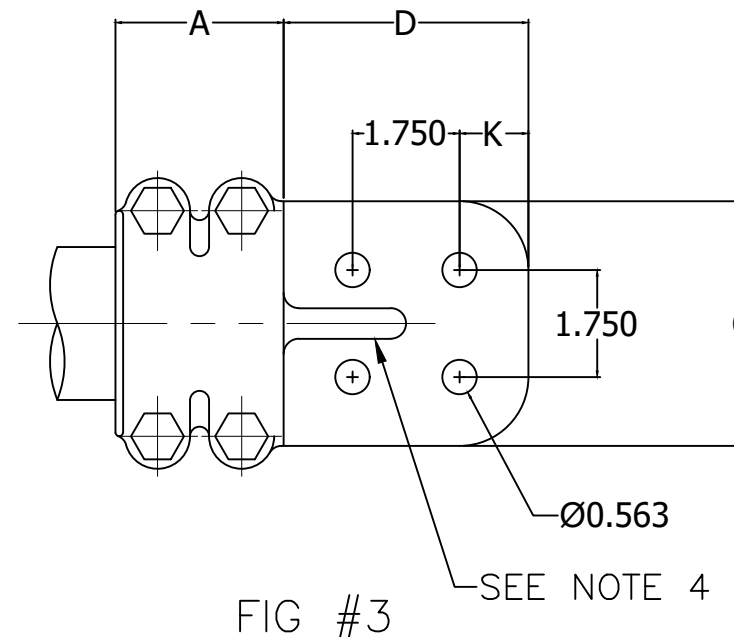
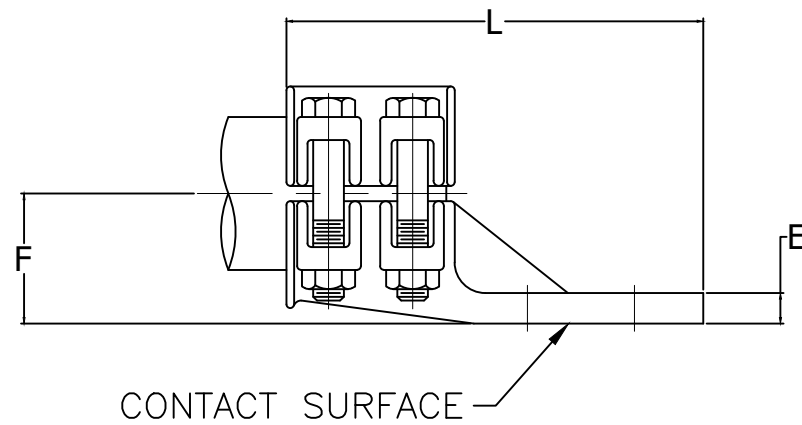
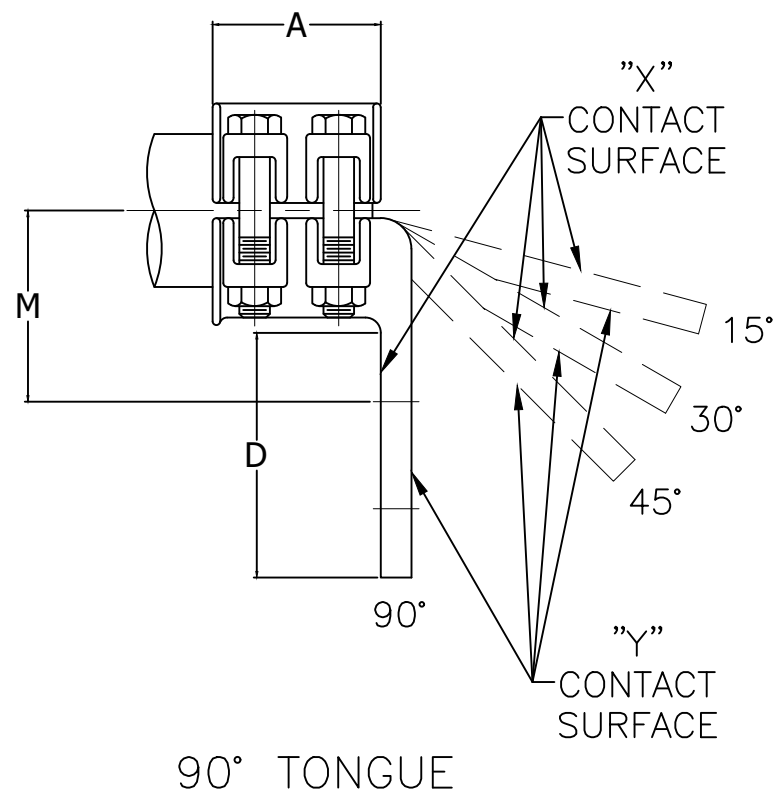


FIG #3

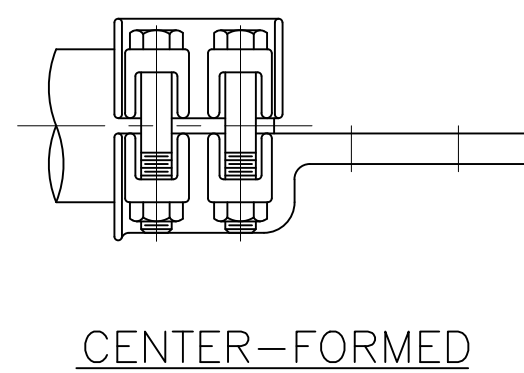


FIG #4

NOTES:

1. MATERIAL: ELECTRICAL BRONZE
2. DIMENSIONS IN INCHES
3. ITEMS MARKED WITH A (▶) INDICATES RIBS ON PARTS
4. FOR WASHER CLEARANCE OVER 1.06" O.D. ADD "BVW" SUFFIX TO CATALOG NUMBER. (EXAMPLE: STF4-40-C-BVW)
5. TO OBTAIN TIN PLATING ADD SUFFIX "TP" (EXAMPLE: STF4-40-C-TP)
6. TO OBTAIN SILICON BRONZE HARDWARE ADD SUFFIX "ED" (EXAMPLE: STF4-40-C-ED)
7. TO OBTAIN A CENTERFORMED PAD ADD "CF" TO THE CATALOG (EXAMPLE: STF4-40-C-CF)

B

A

79573	8/20/2019	HG	HG	PTB
EC #	DATE	CHG BY	CKD BY	APPD BY

DESC OF DWG:  
ADDED NOTE 7  
--  
--  
--  
REASON (S) FOR CHANGE: --  
DISPOSITION OF MAT'L: --

THIRD ANGLE PROJECTION  
CONFIDENTIAL: THIS DRAWING AND ITS CONTENTS ARE CONFIDENTIAL AND THE EXCLUSIVE PROPERTY OF HUBBELL POWER SYSTEMS. NO PUBLICATION, DISTRIBUTION, OR COPIES MAY BE MADE WITHOUT THE WRITTEN CONSENT OF HUBBELL POWER SYSTEMS. HUBBELL POWER SYSTEMS UNPUBLISHED ALL RIGHTS RESERVED UNDER THE COPYRIGHT LAWS.



TITLE TERMINAL CONNECTOR TUBE TO FLAT			
CATALOG NUMBER: STF4			
SIZE C	DWG NO. C019844-00	PART / ASSY NO. SEE TABLE	REV 09
SCALE: NS	DRN BY: WDS	DATE: 7/24/57	SHEET 1 OF 6

4

3

2

1 UNCONTROLLED COPY WHEN PRINTED

CATALOG NUMBER	IPS SIZE	FIG. NO.	DIMENSION IN INCHES									
			M	A	B	C	D	E	F	J	K	L
STF4-03-A-3	0.375	1	--	2.000	2.250	1.500	1.750	0.250	0.813	0.375	0.750	3.750
STF4-03-B-3	0.375	2	--	2.000	2.250	1.500	3.250	0.250	0.813	0.375	0.625	5.250
STF4-03-B2-3	0.375	2	--	2.000	2.250	2.000	3.250	0.250	0.813	0.375	0.625	5.250
STF4-04-A-3	0.500	1	--	2.500	2.500	1.500	1.750	0.313	0.875	0.375	0.750	4.000
STF4-04-A	0.500	1	--	2.500	3.000	1.500	1.750	0.313	0.875	0.500	0.750	4.000
STF4-04-B-3	0.500	2	--	2.500	2.188	1.500	3.250	0.313	0.875	0.375	0.625	5.750
STF4-04-B	0.5000	2	--	2.500	3.000	1.500	3.250	0.313	0.875	0.500	0.625	5.250
STF4-04-B2-3	0.500	2	--	2.500	2.188	2.000	3.250	0.313	0.875	0.375	0.625	5.625
STF4-04-B2	0.500	2	--	2.500	3.000	2.000	3.250	0.313	0.875	0.500	0.625	5.500
STF4-04-C-3	0.500	3	--	2.500	2.188	3.000	3.250	0.313	0.875	0.375	0.625	5.625
STF4-04-C	0.500	3	--	2.500	2.688	3.000	3.250	0.250	0.875	0.500	0.625	6.000
STF4-06-A-3	0.750	1	2.000	2.500	2.688	1.500	1.750	0.313	1.000	0.375	0.750	3.875
STF4-06-A	0.750	1	--	2.500	3.000	1.500	1.750	0.375	1.000	0.500	0.750	4.000
STF4-06-B-3	0.750	2	--	2.500	2.500	1.500	3.250	0.313	1.000	0.375	0.625	5.750
STF4-06-B	0.750	2	--	2.500	3.000	1.500	3.250	0.439	1.125	0.500	0.625	6.000
STF4-06-B2-3	0.750	2	--	2.500	2.500	2.000	3.250	0.313	1.000	0.375	0.625	5.750
STF4-06-B2	0.750	2	--	2.500	3.000	2.000	3.250	0.375	1.000	0.500	0.625	6.000
STF4-06-C-3	0.750	3	--	2.500	2.500	3.000	3.250	0.313	1.063	0.375	0.625	5.750
STF4-06-C	0.750	3	--	2.500	3.000	3.000	3.250	0.375	1.125	0.500	0.625	6.000
STF4-10-A-3	1.000	1	--	2.500	2.875	1.500	1.750	0.313	1.063	0.375	0.750	4.000
STF4-10-A	1.000	1	--	2.500	3.375	1.500	1.750	0.375	1.125	0.500	0.750	4.125
STF4-10-B-3	1.000	2	--	2.500	2.875	1.500	3.250	0.313	1.063	0.375	0.625	5.500
STF4-10-B	1.000	2	--	2.500	3.188	1.500	3.250	0.375	1.563	0.500	0.625	6.000
STF4-10-B2-3	1.000	2	--	2.500	2.875	2.000	3.250	0.313	1.125	0.375	0.625	5.625
STF4-10-B2	1.000	2	--	2.500	3.188	2.000	3.250	0.313	1.125	0.500	0.625	5.625
STF4-10-C-3	1.000	3	--	2.500	2.875	3.000	3.250	0.375	1.063	0.375	0.625	5.750
STF4-10-D-3	1.000	3	--	2.500	2.875	4.000	4.250	0.313	1.156	0.375	1.125	6.500
STF4-10-D	1.000	3	--	2.500	3.188	4.000	4.250	0.375	1.125	0.500	1.125	6.750
STF4-12-A	1.250	1	--	2.750	3.625	1.500	1.750	0.375	1.375	0.500	0.750	4.500
STF4-12-B	1.250	2	--	2.750	3.563	1.500	3.250	0.375	1.375	0.500	0.625	6.000
STF4-12-B2	1.250	2	--	2.750	3.563	2.000	3.250	0.375	1.375	0.500	0.625	6.000
STF4-12-C	1.250	3	--	2.750	3.625	3.000	3.250	0.375	1.375	0.500	0.625	6.000
STF4-12-D	1.250	3	--	2.750	3.375	4.000	4.250	0.375	1.375	0.500	1.125	7.250

CATALOG NUMBER: STF4			
SIZE	DWG NO.	PART / ASSY NO.	REV
C	C019844-00	SEE TABLE	09
SCALE: NS	DRN BY: WDS	DATE: 7/24/57	SHEET 2 OF 6

CATALOG NUMBER	IPS SIZE	FIG. NO.	DIMENSION IN INCHES									
			M	A	B	C	D	E	F	J	K	L
STF4-14-B	1.500	2	--	2.750	3.813	1.500	3.250	0.439	1.625	0.500	0.625	6.000
STF4-14-B2	1.500	2	--	2.750	3.813	2.000	3.250	0.439	1.625	0.500	0.625	6.000
STF4-14-C	1.500	3	--	2.750	3.813	3.000	3.250	0.375	1.625	0.500	0.625	6.000
STF4-14-D	1.500	3	--	2.750	3.813	4.000	4.250	0.375	1.625	0.500	1.125	7.500
STF4-20-B	2.000	2	--	2.750	4.500	1.500	3.250	0.439	1.750	0.500	0.625	6.000
STF4-20-B2	2.000	2	--	2.750	4.500	2.000	3.250	0.439	1.750	0.500	0.625	6.250
STF4-20-C	2.000	3	--	2.750	4.500	3.000	3.250	0.375	1.750	0.500	0.625	6.000
STF4-20-D	2.000	3	--	2.750	4.500	4.000	4.250	0.375	1.750	0.500	1.125	7.125
STF4-22-D	2.250	3	--	3.250	4.750	4.000	4.250	0.500	2.125	0.500	1.125	7.750
STF4-24-B	2.500	2	--	2.750	4.875	1.500	3.000	0.563	2.125	0.500	0.625	6.000
STF4-24-B2	2.500	2	--	2.750	4.750	2.000	3.250	0.563	2.125	0.500	0.625	6.000
STF4-24-C	2.500	3	--	2.750	4.750	3.000	3.000	0.500	2.125	0.500	0.625	6.000
STF4-24-D	2.500	3	--	3.250	4.750	4.000	4.250	0.500	2.125	0.500	1.125	7.750
STF4-30-B	3.000	2	--	3.500	5.813	1.500	3.250	0.688	2.500	0.625	0.625	7.000
STF4-30-B2	3.000	2	--	3.500	5.813	2.000	3.250	0.688	2.500	0.625	0.625	7.000
STF4-30-C	3.000	3	--	3.500	5.813	3.000	3.250	0.625	2.500	0.625	0.625	7.000
STF4-30-D	3.000	3	--	3.500	5.813	4.000	4.250	0.625	2.500	0.625	1.125	8.000
STF4-30-D-Y-45	3.000	3	--	3.500	5.813	4.000	4.250	0.625	--	0.625	1.125	--
STF4-34-C	3.500	3	--	3.500	6.313	3.000	3.250	0.750	2.875	0.625	0.625	7.000
STF4-34-D	3.500	3	--	3.500	6.313	4.000	4.250	0.750	2.875	0.625	1.125	8.250
STF4-40-C	4.000	3	--	4.000	6.938	3.000	3.250	0.750	3.250	0.625	0.625	7.500
STF4-40-D	4.000	3	--	4.000	6.938	4.000	4.250	0.750	3.250	0.625	1.125	8.500
STF4-40-E	4.000	3	--	4.000	6.938	5.000	5.250	0.750	3.250	0.625	1.250	9.250
STF4-04D-3	0.500	3	--	2.50	2.188	4.000	4.250	0.250	0.875	0.375	1.125	6.750
STF4-50-D	5.000	3	--	5.000	8.188	4.000	4.250	1.000	3.625	0.625	1.125	9.500
STF4-04-B-90-3-SCE	0.500	2	3.625	2.500	2.188	1.500	5.250	0.313	--	0.375	0.625	--
STF4-06-B-90-3-SCE	0.750	2	3.625	2.500	2.625	1.500	5.250	0.313	--	0.375	0.625	--
STF4-10-B-90-3-SCE	1.000	2	2.938	2.500	2.875	1.500	5.250	0.313	--	0.375	0.625	--
STF4-12-B-90-3-SCE	1.250	2	4.125	2.750	3.375	1.500	5.250	0.375	--	0.500	0.625	--
STF4-06-C-90-3-SCE	0.750	3	3.750	2.500	2.625	3.000	5.250	0.313	--	0.375	0.625	--
STF4-10-C-90-3-SCE	1.000	3	4.000	2.500	2.875	3.000	5.250	0.313	--	0.375	0.625	--
STF4-12-C-90-3-SCE	1.250	3	4.375	2.750	3.625	3.000	5.250	0.375	--	0.500	0.625	--
STF4-14-C-90-3-SCE	1.500	3	4.375	2.750	3.875	3.000	5.250	0.500	--	0.500	0.625	--
STF4-20-B2-X/Y-90	2.000	2	2.500	2.750	4.500	2.000	3.250	0.439	--	0.500	0.625	--
STF4-14-B2-X-45	1.500	2	--	2.750	3.813	2.000	3.250	0.439	--	0.500	0.625	--

CATALOG NUMBER: STF 4			
SIZE	DWG NO.	PART / ASSY NO.	REV
C	C019844-00	SEE TABLE	09
SCALE: NS	DRN BY: WDS	DATE: 7/24/57	SHEET 3 OF 6

CATALOG NUMBER	IPS SIZE	FIG. NO.	DIMENSION IN INCHES									
			M	A	B	C	D	E	F	J	K	L
STF4-20-C-Y-90	2.000	3	3.000	2.750	4.500	3.000	3.250	0.500	--	0.375	0.625	--
STF4-06-B2-X-30	0.750	2	--	2.500	3.000	2.000	3.250	0.375	--	0.500	0.625	--
STF4-12-C-90	1.250	3	2.375	2.750	3.563	3.000	3.250	0.375	--	0.500	0.625	--
STF4-10-D-CF	1.000	3	--	2.500	3.188	4.000	4.250	0.3750	--	0.500	1.125	7.125
STF4-24-B2-Y-90	2.500	2	3.000	3.250	4.7500	2.000	3.250	0.625	--	0.500	0.625	--
STF4-06-B-Y-90-3	0.750	2	2.938	2.500	2.500	1.500	3.250	0.313	--	0.375	0.625	--
STF4-10-B-X/Y-90-3	1.000	2	2.156	2.500	2.875	1.500	3.250	0.375	--	0.375	0.625	--
STF4-06-B2-X/Y-45	0.750	2	--	2.500	3.000	2.000	3.250	0.500	--	0.500	0.625	--
STF4-24-B2-CF	2.500	2	--	3.250	4.750	2.000	3.250	0.563	--	0.500	0.625	7.250
STF4-20-D-X/Y-30	2.000	3	--	2.750	4.500	4.000	4.250	0.375	--	0.500	1.125	--
STF4-10-D-X/Y-45	1.000	3	--	2.500	3.188	4.000	4.250	0.375	--	0.500	1.125	--
STF4-04-B2-X/Y-90	0.500	2	1.844	2.500	2.688	2.000	3.250	0.313	--	0.500	0.625	--
STF4-20-B2-X/Y-30	2.000	2	--	2.750	2.750	2.000	3.250	0.439	--	0.500	0.625	--
STF4-30-D-CF	3.000	3	--	3.500	5.813	4.000	4.250	0.625	--	0.625	1.125	8.250
STF4-24-D-X/Y-10	2.500	3	--	3.250	4.750	4.000	4.250	0.500	--	0.500	1.125	--
STF4-24-D-X/Y-30	2.500	3	--	3.250	4.750	4.000	4.250	0.500	--	0.500	1.125	--
STF4-24-D-X/Y-60	2.500	3	--	3.250	4.750	4.000	4.250	0.500	--	0.500	1.125	--
STF4-10-B2-X/Y-60	1.000	2	--	2.500	3.188	2.000	3.250	0.375	--	0.500	0.625	--
STF4-30-C-X/Y-45	3.000	3	--	3.500	5.813	3.000	3.250	0.625	--	0.625	0.625	--
STF4-12-D-X/Y-45	1.250	3	--	2.750	3.563	4.000	4.250	0.375	--	0.500	1.125	--
STF4-20-B2-CF	2.000	2	--	2.750	4.500	2.000	3.250	0.439	--	0.500	0.625	6.250
STF4-24-C-CF	2.500	3	--	3.250	4.750	3.000	3.250	0.500	--	0.500	0.625	7.375
STF4-40-C-CF	4.000	3	--	4.000	6.344	3.000	3.250	0.750	--	0.625	0.625	7.750
STF4-60-D-CF	6.000	3	--	5.250	10.125	4.000	4.000	1.000	--	0.625	1.125	10.125
STF4-12-B2-X/Y-30	1.250	2	--	2.750	3.563	2.000	3.250	0.375	--	0.500	0.625	--
STF4-06-C-Y-90	0.750	3	1.750	2.500	3.000	3.000	3.250	0.375	--	0.500	0.625	--
STF4-14-C-90	1.500	3	2.375	2.750	3.813	3.000	3.250	0.375	--	0.500	0.625	--
STF4-24-D-CF	2.500	2	--	3.250	4.750	4.000	4.250	0.500	--	0.500	1.125	8.125
STF4-14-D-CF	1500	2	--	2.750	3.813	4.000	4.250	0.375	--	0.500	1.125	7.719
STF4-24-D-X/Y-CF-CE1	2.500	3	--	3.250	4.750	4.000	4.250	0.750	--	0.500	1.125	8.125
STF4-24-C-X/Y-30	2.500	3	--	3.250	4.750	3.000	3.250	0.500	--	0.500	0.625	--
STF4-06-B2-CF	0.750	2	--	2.500	3.000	2.000	3.250	0.375	--	0.500	0.625	6.375
STF4-04-3-CF	0.500	3	--	2.500	2.188	3.000	3.250	0.313	--	0.375	0.625	5.750



CATALOG NUMBER: STF4			
SIZE	DWG NO.	PART / ASSY NO.	REV
C	C019844-00	SEE TABLE	09
SCALE: NS	DRN BY: WDS	DATE: 7/24/57	SHEET 4 OF 6

CATALOG NUMBER	IPS SIZE	FIG. NO.	DIMENSION IN INCHES									
			M	A	B	C	D	E	F	J	K	L
STF4-06-C-CF	0.750	3	--	2.500	3.000	3.000	3.250	0.375	--	0.500	0.625	6.000
STF4-10-B-3-CF	1.000	2	--	2.500	2.875	1.500	3.250	0.313	--	0.375	0.625	6.125
STF4-10-B2-CF	1.000	2	--	2.500	2.875	2.000	3.250	0.375	--	0.500	0.625	6.250
STF4-10-C-CF	1.000	3	--	2.500	2.875	3.000	3.250	0.375	--	0.500	0.625	6.125
STF4-10-C-3-CF	1.000	3	--	2.500	2.875	3.000	3.250	0.313	--	0.375	0.625	6.000
STF4-12-B2-CF	1.250	2	--	2.500	3.563	2.000	3.250	0.375	--	0.500	0.625	6.375
STF4-10-C.5-3	1.000	4	--	2.500	2.875	3.000	2.000	0.313	1.063	0.375	1.000	4.500
STF4-12-C-CF	1.250	3	--	2.500	3.563	3.000	3.250	0.375	--	0.500	0.625	6.750
STF4-12-D-CF	1.250	3	--	2.500	3.375	4.000	4.250	0.375	--	0.500	1.125	6.750
STF4-12-E	1.250	--	--	2.500	3.563	5.000	5.250	0.375	--	0.500	0.750	8.250
STF4-14-B2-CF	1.500	2	--	2.750	3.813	2.000	3.250	0.439	--	0.500	0.625	6.500
STF4-14-C-CF	1.500	3	--	2.750	3.688	3.000	3.250	0.375	--	0.500	0.625	6.313
STF4-20-D-CF	2.000	3	--	2.750	3.813	4.000	4.250	0.375	--	0.500	0.625	7.750
STF4-24-C-CF	2.500	3	--	3.250	4.750	3.000	3.250	0.500	--	0.500	0.625	7.375
STF4-20-C-CF	2.000	3	--	2.750	4.500	3.000	3.250	0.439	--	0.500	0.625	6.439
STF4-30-C-CF	3.000	3	--	3.500	5.813	3.000	3.250	0.625	--	0.625	0.625	7.625
STF4-34-D-CF	3.500	3	--	3.500	6.313	4.000	4.250	0.750	--	0.625	1.125	8.688
STF4-40-B2-CF	4.000	2	--	4.000	6.938	2.000	3.250	1.000	--	0.625	0.625	8.000
STF4-20-D-X/Y-20	2.000	3	--	2.750	4.500	4.000	4.250	0.375	--	0.500	1.125	--
STF4-40-D-X/Y-90	4.000	3	4.439	4.000	6.938	4.000	4.250	0.750	--	0.625	1.125	--
STF4-14-B2-X/Y-90	1.500	2	2.219	2.750	3.688	2.000	3.250	0.439	--	0.500	0.625	--
STF4-10-B2-X/Y-90	1.000	2	1.938	2.500	3.188	2.000	3.250	0.375	--	0.500	0.625	--
STF4-24-C-X/Y-90	2.500	3	3.000	3.250	4.750	3.000	3.250	0.500	--	0.500	0.625	--
STF4-04-B-3-CF	0.500	2	--	2.500	2.188	1.500	3.250	0.313	--	0.375	0.625	6.063
STF4-04-B-3-X/Y-90	0.500	2	1.875	2.500	2.188	1.500	3.250	0.313	--	0.375	0.625	--
STF4-06-B2-X/Y-90	0.750	2	1.750	2.500	3.000	2.000	3.125	0.375	--	0.500	0.625	--
STF4-20-D-X/Y-90	2.000	3	2.875	2.750	4.500	4.000	4.000	0.500	--	0.500	1.125	--
STF4-14-D-X/Y-90	1.500	3	2.938	2.750	3.813	4.000	4.000	0.375	--	0.500	1.125	--
STF4-14-D-X/Y-60	1.500	3	--	2.750	3.938	4.000	4.125	0.375	--	0.500	1.125	--
STF4-04-C-X/Y-90-3	0.500	3	1.625	2.500	2.188	3.000	3.250	0.313	--	0.375	0.625	--
STF4-20-D-X/Y-45	2.000	3	--	2.750	4.500	4.000	4.250	0.375	--	0.500	1.125	--
STF4-30-D-X/Y-90	3.000	3	4.031	3.500	5.813	4.000	4.250	0.625	--	0.625	1.125	--
STF4-34-D-X/Y-90	3.500	3	3.750	3.500	6.313	4.000	4.000	0.750	--	0.625	1.125	--

CATALOG NUMBER: STF4			
SIZE	DWG NO.	PART / ASSY NO.	REV
C	C019844-00	SEE TABLE	09
SCALE: NS	DRN BY: WDS	DATE: 7/24/57	SHEET 5 OF 6

